

4

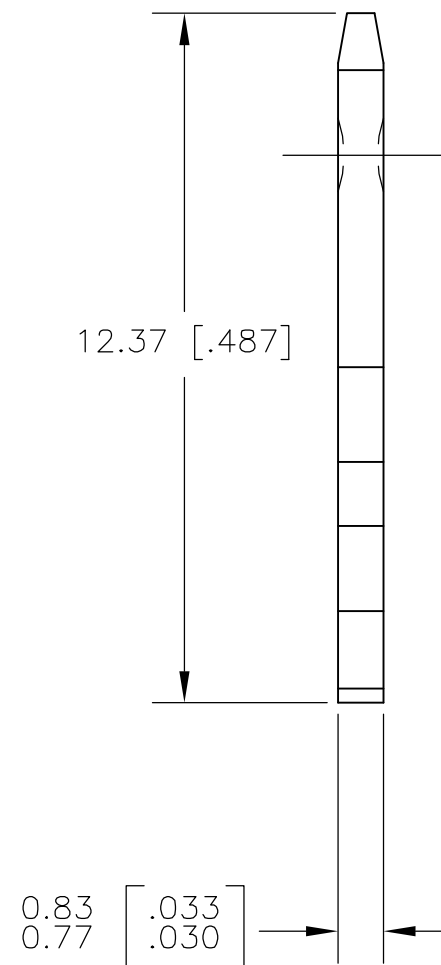
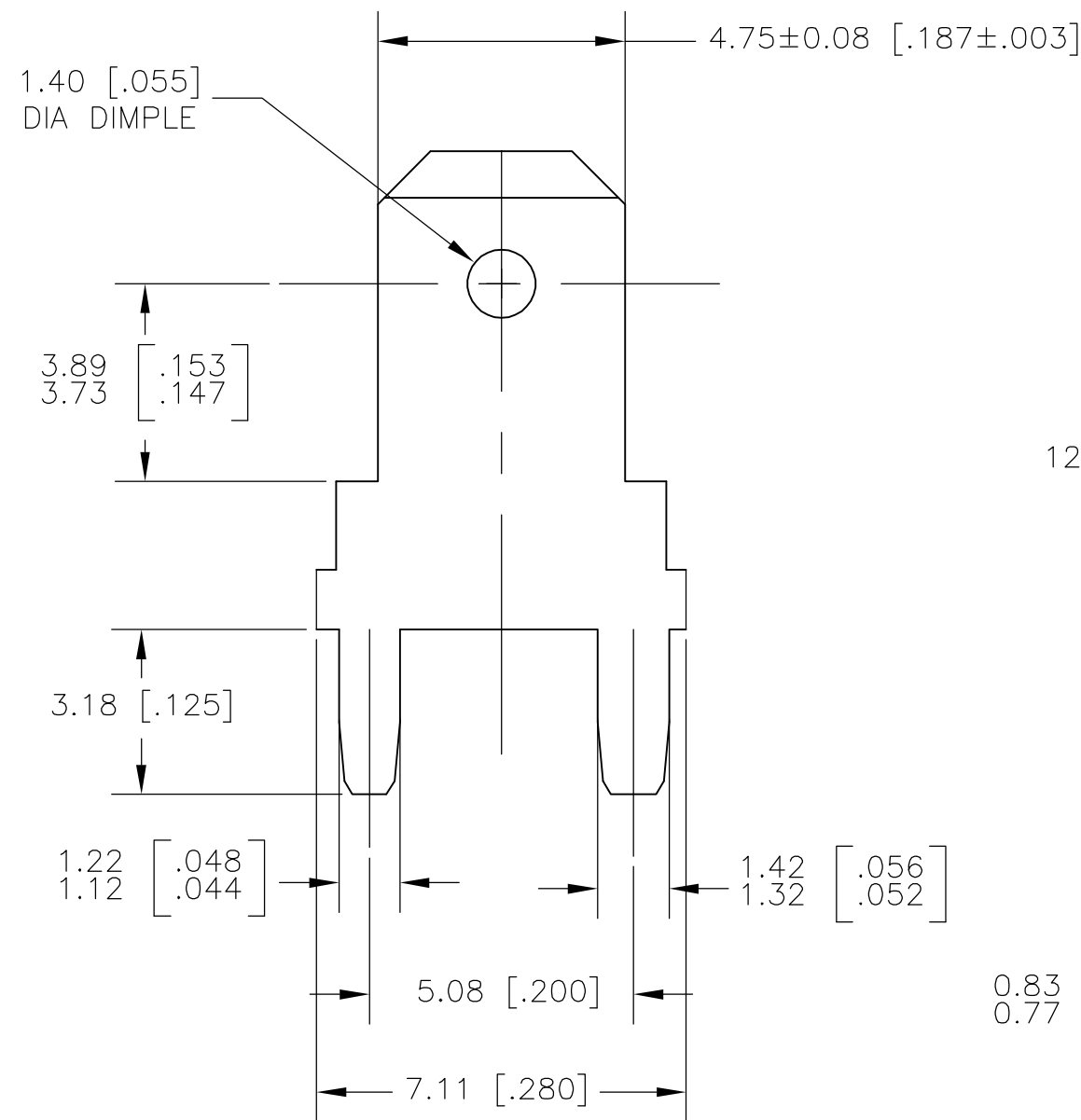
3

2

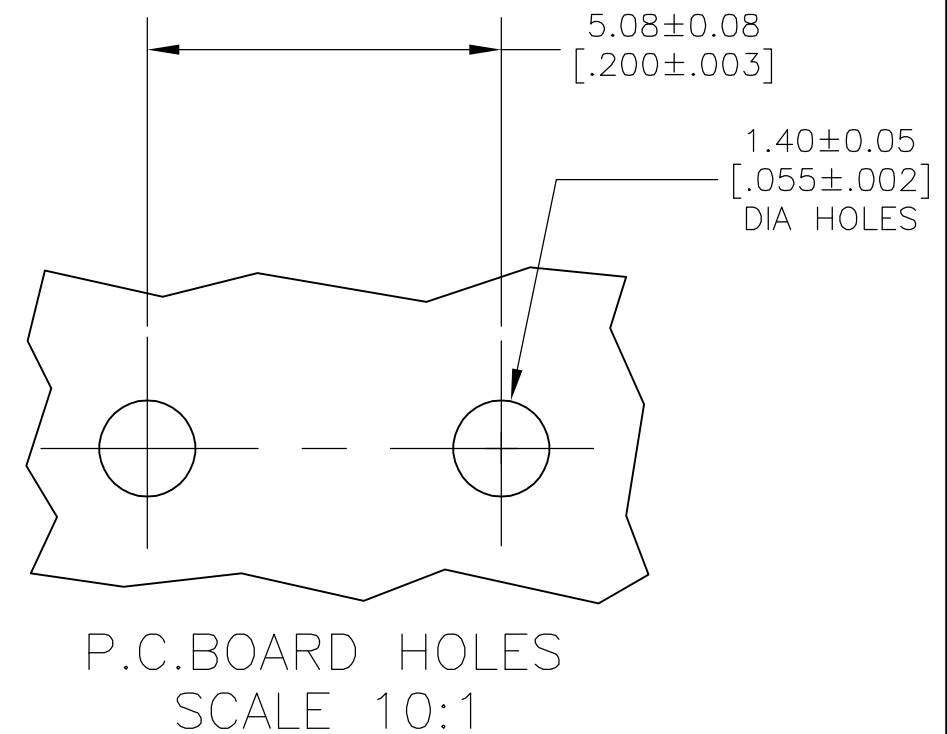
1

THIS DRAWING IS UNPUBLISHED. RELEASED FOR PUBLICATION -,- .
 © COPYRIGHT - BY TYCO ELECTRONICS CORPORATION. ALL RIGHTS RESERVED.

LOC	DIST	REVISIONS					
AF	50	P	LTR	DESCRIPTION	DATE	DWN	APVD
		C		REV PER ECR-05-017407	11APR06	HMR	KR



1 SUPPLIED IN LOOSE PIECE
 2 0.00381 [.000150] MIN TIN OVER
 0.00254 [.000100] MIN THK COPPER.



1217057-1
 PART NUMBER

THIS DRAWING IS A CONTROLLED DOCUMENT.		DWN	JR RUTH	20MAR01	tyco Electronics	Tyco Electronics Corporation	
DIMENSIONS: mm [INCHES]		CHK	MS FEHER	20MAR01		Harrisburg, PA 17105-3608	
TOLERANCES UNLESS OTHERWISE SPECIFIED:		APVD	N DEIBERT	20MAR01	NAME		
0 PLC ± -		PRODUCT SPEC		TAB, FASTON, PC BOARD, 4.75 [.187] SERIES			
1 PLC ± -		APPLICATION SPEC		SIZE		CAGE CODE	DRAWING NO
2 PLC ± 0.25 [.010]		WEIGHT		A3		00779	C-1217057
3 PLC ± -		MATERIAL		RESTRICTED TO			
4 PLC ± -		082 BRASS		-			
ANGLES ± -		FINISH		SCALE		SHEET	REV
TIN OVER COPPER		CUSTOMER DRAWING		8:1		1 OF 1	C